

SUBMITTAL DATA: MSY-D36NA-8 & MUY-D36NA-1

36,000 BTU/H WALL-MOUNTED AIR-CONDITIONING SYSTEM

Job Name:	Location:	Date:
Purchaser:	Engineer:	
Submitted to:	For <input type="checkbox"/> Reference <input type="checkbox"/> Approval <input type="checkbox"/> Construction	
System Designation:	Schedule No.:	



Indoor Unit: MSY-D36NA-8



Wireless Remote Controller



Outdoor Unit: MUY-D36NA-1

GENERAL FEATURES

- Catechin and anti-allergy enzyme filters for high air-purification capabilities
- Updated sleek, compact indoor unit design
- Remote-controlled wide airflow enables ideal horizontal air distribution
- Self-check function—onboard diagnostics
- Advanced microprocessor control
- Auto restart following a power outage
- Hand-held Wireless Remote Controller
- Anti-allergy Enzyme Filter
- Limited warranty: five years parts and seven years compressors

ACCESSORIES

Outdoor Unit

- Drain Socket Assembly (MAC-811DS)

Indoor Unit

- Three-pole Disconnect Switch (TAZ-MS303)
- Condensate Pump (230V; SI3100-230)

Controller Options

- Wireless Wall-mounted Remote Controller Kit (MHK1)*
- Portable Central Controller (MCCH1)*
- Outdoor Air Sensor (MOS1)*
- Wired Wall-mounted Controller (PAR-31MAA requires MAC-333IF)*
- Simple MA Remote Controller (PAC-YT53CRAU requires MAC-333IF)*

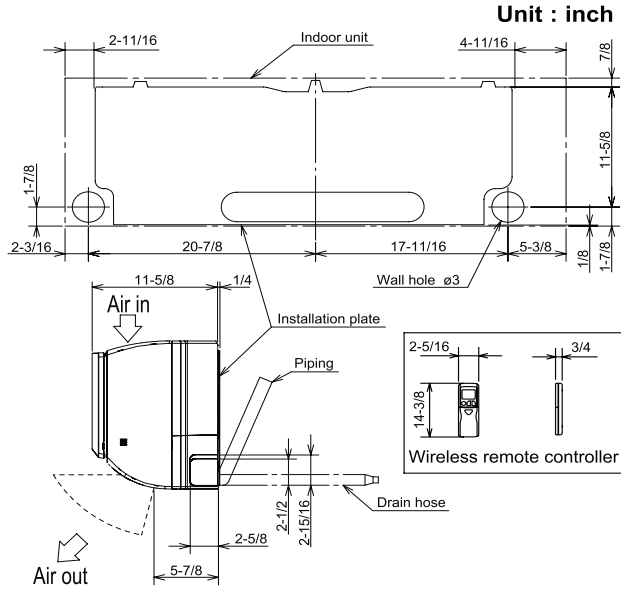
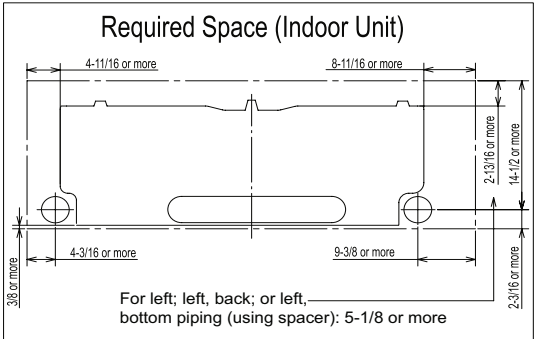
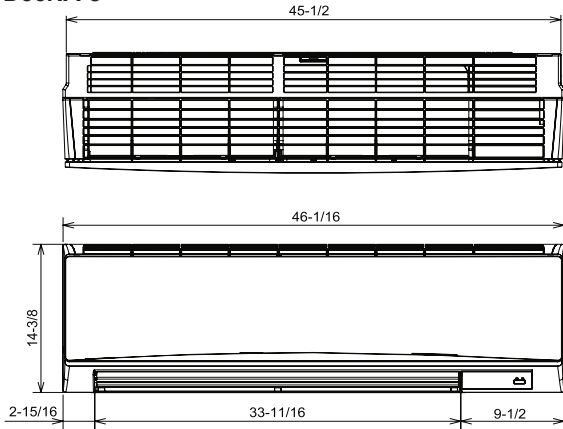
*See Submittal for information on each option.

- System Control Interface (MAC-333IF)
- Remote Temperature Sensor (M21-JKO-307)
- Lockdown Bracket for Hand-held Controller (RCMKP1CB)



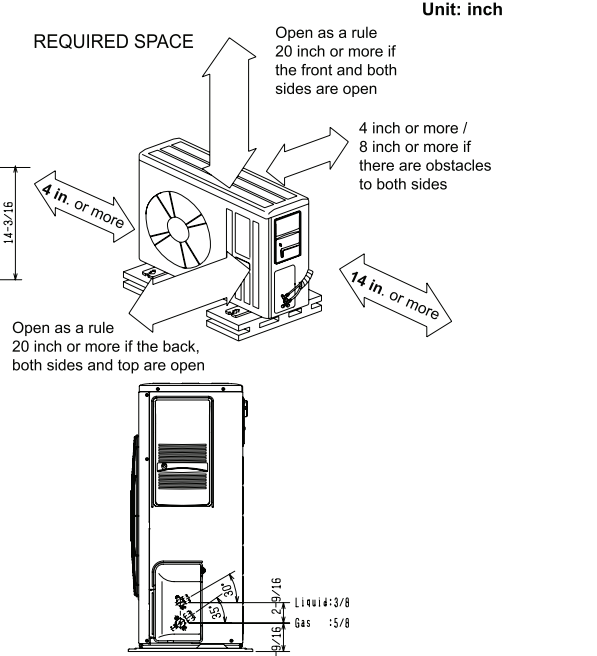
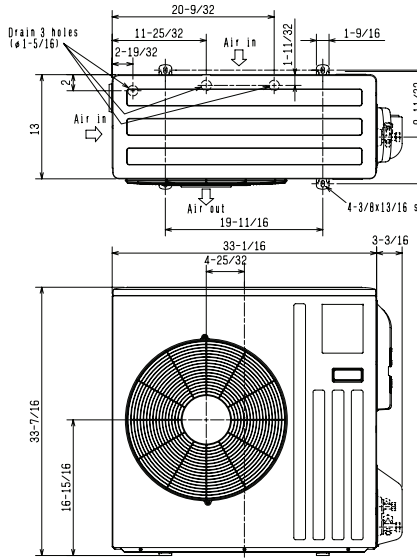
DIMENSIONS: MSY-D36NA-8 & MUY-D36NA-1

MSY-D36NA-8

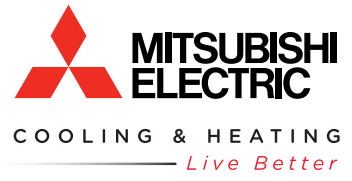


	Piping	Insulation
Liquid line	ø3/8 19-11/16 (Flared connection ø3/8)	ø1-1/4 O.D. ø9/16 I.D.
Gas line	ø5/8 16-7/8 (Joint connection ø5/8)	ø1-15/16 O.D. ø1-1/4 I.D.
Joint	ø5/8 (Flared connection ø5/8)	ø1-15/16 O.D. ø1-1/4 I.D.
Drain hose	Insulation ø1-1/8 Connected part ø9/16 O.D.	

MUY-D36NA-1



Intertek



1340 Satellite Boulevard
Suwanee, GA 30024
Tele: 678-376-2900 • Fax: 800-889-9904
Toll Free: 800-433-4822
www.mehvac.com