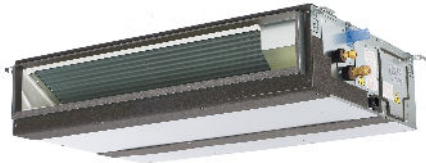


Job Name:

System Reference:

Date:

Indoor Unit:  
PEAD-A30AA7Outdoor Unit:  
 PUY-A30NHA7  
 PUY-A30NHA7-BS**INDOOR UNIT FEATURES**

- Unobtrusive ceiling-concealed design for short-run ductwork.
- Wide ranging external static pressure (0.14-0.60 in. WG)
- Built-in condensate lift mechanism (up to 27-9/16")
- Auto fan speed mode
- Optional FB Series filter boxes for easy access and service
- Ideal for residential homes, retail shopping centers, larger classrooms, office complexes, conference ballrooms, fitness centers, and more

**OUTDOOR UNIT FEATURES**

- Variable speed INVERTER-driven compressor
- Power receiver pre-charged with refrigerant volume for piping length up to 100 ft (70 ft. for A12/18/24/30)
- Low ambient cooling down to -40°F providing 100% capacity (only for PUY models with wind baffles installed)
- 24-hour continuous operation (cooling mode)
- High pressure protection
- Fast restarts in cooling mode (15 seconds for 12/18/36/42; 50 seconds for 24/30)
- Superior energy and operational efficiency

# SPECIFICATIONS: PEAD-A30AA7 & PUY-A30NHA7(-BS)

Model Number	Indoor Unit		PEAD-A30AA7	
	Outdoor Unit		PUY-A30NHA7	
			PUY-A30NHA7-BS	
Cooling <sup>2</sup>	Maximum Capacity	Btu/h	30,000	
	Rated Capacity	Btu/h	30,000	
	Minimum Capacity	Btu/h	9,000	
	Maximum Power Input	W	3,000	
	Rated Power Input	W	3,000	
	Moisture Removal	Pints/h	8.60	
	Sensible Heat Factor		0.68	
	Power Factor	%	93.8	
Efficiency	SEER		19.1	
	EER <sup>1</sup>		10.0	
Electrical	Voltage, Phase, Frequency		208 / 230V, 1-phase, 60 Hz	
	Guaranteed Voltage Range	V AC	198 – 253	
	Voltage: Indoor - Outdoor, S1-S2	V AC	208 / 230	
	Voltage: Indoor - Outdoor, S2-S3	V DC	24	
	Voltage: Indoor - Remote controller	V DC	12	
	Recommended Fuse/Breaker Size	A	25	
	Recommended Wire Size (Indoor - Outdoor)	AWG	14	
Indoor Unit	MCA	A	2.73	
	Fan Motor Full Load Amperage	A	2.18	
	Fan Motor Output	W	121	
	Airflow Rate, Dry	CFM	618-742-883	
	Airflow Rate, Wet	CFM	578-702-843	
	External Static Pressure	in.WG	0.14-0.20-0.28-0.40-0.60	
	Sound Pressure Level	dB(A)	30-34-39	
	Drain Pipe Size	In. (mm)	1-1/4 (32)	
	Condensate Lift Mechanism, Max. Distance	In. (mm)	27-9/16 (700)	
	Heat Exchanger Type		Plate fin coil	
	External Finish Color		Galvanized	
	Unit Dimensions	W: In. (mm)		43-5/16 (1100)
		D: In. (mm)		28-7/8 (732)
		H: In. (mm)		9-7/8 (250)
	Package Dimensions	W: In.		53-3/16
		D: In.		34-11/16
H: In.			13-7/16	
Unit Weight	Lbs. (kg)		69 (31)	
Package Weight	Lbs.		82	
Indoor Unit Operating Temperature Range	Cooling Intake Air Temp (Maximum / Minimum)	°F	90 DB, 73 WB / 66 DB, 59 WB	

## SPECIFICATIONS: PEAD-A30AA7 & PUY-A30NHA7(-BS)

Model Number	Indoor Unit		PEAD-A30AA7	
	Outdoor Unit		PUY-A30NHA7	
			PUY-A30NHA7-BS	
Outdoor Unit	MCA	A	19	
	MOCP	A	26	
	Fan Motor Full Load Amperage	A	0.4	
	Fan Motor Output	W	86	
	Airflow Rate	CFM	1,940	
	Refrigerant Control	Electronic Expansion Valve		
	Heat Exchanger Type	Cross fin		
	Sound Pressure Level, Cooling <sup>1</sup>	dB(A)	47	
	Compressor Type	INVERTER-driven twin rotary		
	Compressor Model	SNB172FWHM1		
	Compressor Rated Load Amps	A	7	
	Compressor Locked Rotor Amps	A	11	
	Compressor Oil Type // Charge	oz.	FV50S // 23	
	External Finish Color	Ivory Munsell 3Y 7.8/1.1		
	Base Pan Heater	n/a		
	Unit Dimensions	W: In. (mm)	37-13/32 (950)	
		D: In. (mm)	13 + 1-3/16 (330 + 30)	
		H: In. (mm)	37-1/8 (943)	
	Package Dimensions	W: In.	40-15/16	
		D: In.	17-11/16	
H: In.		40-11/16		
Unit Weight	Lbs. (kg)	151 (68)		
Package Weight	Lbs.	176 (80)		
Outdoor Unit Operating Temperature Range	Cooling Intake Air Temp (Maximum / Minimum)	°F	115 DB / -40* DB	
Refrigerant	Type	R410A		
	Charge	Lbs, oz	7 lbs, 11 oz	
Piping	Gas Pipe Size O.D. (Flared)	In.(mm)	5/8 (15.88)	
	Liquid Pipe Size O.D. (Flared)	In.(mm)	3/8 (9.52)	
	Maximum Piping Length	Ft. (m)	225 (69)	
	Maximum Height Difference	Ft. (m)	100 (30)	
	Maximum Number of Bends	15		

# SPECIFICATIONS: PEAD-A30AA7 & PUY-A30NHA7(-BS)

## Notes

AHRI Rated Conditions (Rated data is determined at a fixed compressor speed)	<sup>1</sup> Cooling (Indoor // Outdoor)	°F	80 DB, 67 WB // 95 DB, 75 WB
*Wind baffles required to operate below 23F DB in cooling mode. For PUY models, wind baffles can be utilized to extend the cooling operation range to -40F. Please refer to the wind baffle submittals to determine which baffles are required to meet the desired operation range. **System cuts out in heating mode to avoid thermistor error and automatically restarts at these temperatures.			
<b>SEACOAST PROTECTION</b> <ul style="list-style-type: none"><li>• External Outer Panel: Phosphate coating + Acrylic-Enamel coating</li><li>• Fan Motor Support: Epoxy resin coating (at edge face)</li><li>• Separator Assembly; Valve Bed: Epoxy resin coating (at edge face)</li><li>• "Blue Fin" treatment is an anti-corrosion treatment that is applied to the condenser coil to protect it against airborne contaminants.</li></ul>			

## ACCESSORIES: PEAD-A30AA7

Filter Box with MERV 13 Filters	□ FBM2-3
Wireless Signal Receiver	□ PAR-SA9CA-E
Wireless Signal Receiver	□ PAR-FA32MA-W
Wireless Signal Receiver	□ PAR-FA32MA-E
Wireless Remote Controller	□ PAR-FL32MA-E
Backlit, Wall-mounted, Wireless Controller	□ MHK1
Portable Central Controller	□ MCCH1
Wired MA Controller	□ PAR-33MAA
Simple MA Controller	□ PAC-YT53CRAU
Touch MA Controller	□ PAR-CT01MAU-SB
Airzone ZBS Wired Blueface Principal Controller White	□ AZZBSBLUEFACECB
Airzone ZBS Wired Think Controller White	□ AZZBSTHINKCB
Airzone ZBS Wireless Think Controller White	□ AZZBSTHINKRB
Airzone ZBS Wired Lite Controller White	□ AZZBSLITECB
Airzone ZBS Wireless Lite Controller White	□ AZZBSLITERB
Wired Remote Sensor	□ PAC-SE41TS-E
Wireless Temperature and Humidity Sensor	□ PAC-USWHS003-TH-1
Outside Air Sensor for MHK1	□ MOS1
Flush Mount Remote Temperature Sensor	□ PAC-USSEN001-FM-1
System Control Interface	□ MAC-333IF-E
Wireless Interface	□ PAC-USWHS002-WF-1
Thermostat Interface	□ PAC-US444CN-1
kumo station®	□ PAC-WHS01HC-E
USNAP Interface	□ PAC-WHS01UP-E
IT Extender	□ PAC-WHS01IE-E
BACnet® and MODBUS® Interface	□ PAC-UKPRC001-CN-1
External Fan / Heater Control Relay Adapter	□ CN24RELAY-KIT-CM3
Connector cable for remote display	□ PAC-SA88HA-EP
Connector for CN32 (remote on/off)	□ PAC-SE55RA-E
Lockdown Bracket for Hand-held Remote Controllers	□ RCMKP1CB
Remote Operation Adapter <sup>1</sup>	□ PAC-SF40RM-E
Blue Diamond Sensor Extension Cable — 15 Ft.	□ C13-103
MegaBlue Advanced Blue Diamond Condensate Pump w/ Reservoir & Sensor	□ X87-835 - 110 to 250V
Advanced Blue Diamond Mini Condensate Pump w/ Reservoir & Sensor (208/230V) [recommended]	□ X87-721 - 208/230V
Drain Pan Level Sensor	□ DPLS2
(30A/600V/UL) [fits 2" X 4" utility box] - Black	□ TAZ-MS303
(30A/600V/UL) [fits 2" X 4" utility box] - White	□ TAZ-MS303W

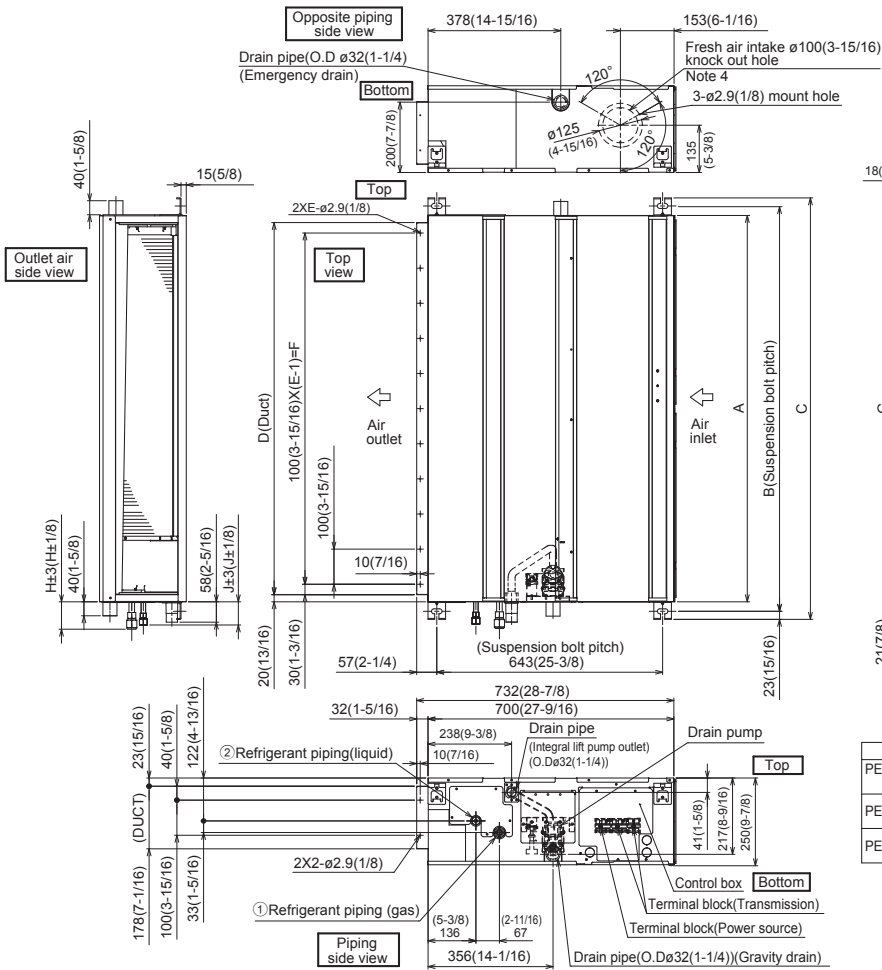
<sup>1</sup> Unable to use with wireless remote controller

## ACCESSORIES: PUY-A30NHA7(-BS)

Air Outlet Guide	<input type="checkbox"/> PAC-SG59SG-E
Front Wind Baffle	<input type="checkbox"/> WB-PA5
Side Advanced Wind Baffle	<input type="checkbox"/> WB-SD5
Rear Advanced Wind Baffle	<input type="checkbox"/> WB-RE5
Drain Socket	<input type="checkbox"/> PAC-SG61DS-E
Centralized Drain Pan	<input type="checkbox"/> PAC-SG64DP-E
M-NET Converter	<input type="checkbox"/> PAC-SF83MA-E
M-NET Converter	<input type="checkbox"/> PAC-SJ95MA-E
Control/Service Tool	<input type="checkbox"/> PAC-SK52ST
Hail Guard	<input type="checkbox"/> HG-A6
Condensing Unit Mounting Pad 24" x 42" x 3"	<input type="checkbox"/> ULTRILITE2
Outdoor Unit Stand—12" High	<input type="checkbox"/> QSMS1201M
Outdoor Unit Stand—18" High	<input type="checkbox"/> QSMS1801M
Outdoor Unit Stand—24" High	<input type="checkbox"/> QSMS2401M
Heavy Duty Wall Mounting Bracket for Outdoor Units—Coated Steel	<input type="checkbox"/> QSWB2000M-1
Heavy Duty Wall Mounting Bracket for Outdoor Units—316 Series Stainless Steel	<input type="checkbox"/> QSWBSS
3/8" x 5/8" x 10' / 1/2" Lineset (Twin-Tube Insulation)	<input type="checkbox"/> MPLS385812T-10
3/8" x 5/8" x 15' / 1/2" Lineset (Twin-Tube Insulation)	<input type="checkbox"/> MPLS385812T-15
3/8" x 5/8" x 30' / 1/2" Lineset (Twin-Tube Insulation)	<input type="checkbox"/> MPLS385812T-30
3/8" x 5/8" x 50' / 1/2" Lineset (Twin-Tube Insulation)	<input type="checkbox"/> MPLS385812T-50
3/8" x 5/8" x 65' / 1/2" Lineset (Twin-Tube Insulation)	<input type="checkbox"/> MPLS385812T-65
3/8" x 5/8" x 100' / 1/2" Lineset (Twin-Tube Insulation)	<input type="checkbox"/> MPLS385812T-100

# DIMENSIONS: PEAD-A30AA7 & PUY-A30NHA7 (-BS)

## PEAD-A30AA7



- Note 1. Use an M10 screw for the suspension bolt (field supply).  
 2. Keep the service space for maintenance at the bottom.  
 3. This drawing is for PEAD-A24-30-36-42 AA7 models, which have 2 fans. PEAD-A09-12-15-18AA7 models have 1 fan.  
 4. If the inlet duct is used, remove the air filter (supplied with the unit), then install the filter (field supply) at the suction side.  
 5. Heat air to 0°C (32°F) or higher when taking fresh air with a fresh air intake.

Unit:mm(in.)

Model	J	① Gas pipe	② Liquid pipe
PEAD-A09AA7	62 (2-1/2)	$\phi 9.52$ (3/8)	$\phi 6.35$ (1/4)
PEAD-A12, 15, 18AA7	62 (2-1/2)	$\phi 12.7$ (1/2)	$\phi 6.35$ (1/4)
PEAD-A24,30AA7	66 (2-5/8)	$\phi 15.88$ (5/8)	$\phi 9.52$ (3/8)
PEAD-A36,42AA7			

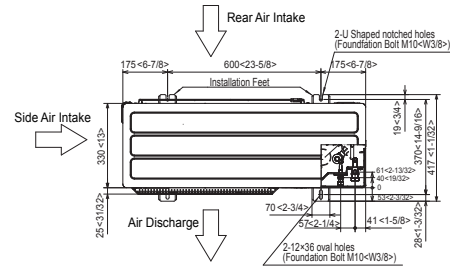
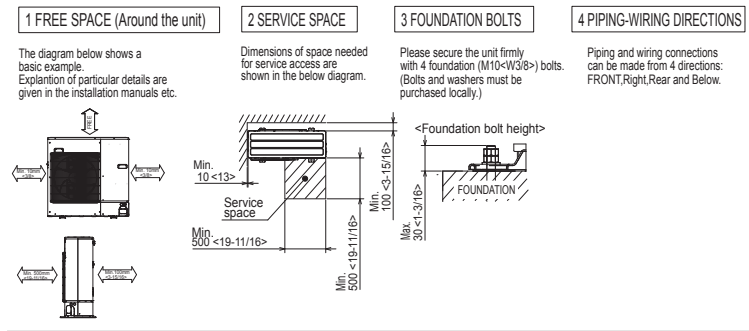
Unit:mm(in.)

Model	A	B	C	D	E	F	G	H
PEAD-A09,12, 15,18AA7	900 (35-7/16)	954 (37-9/16)	1000 (39-3/8)	860 (33-7/8)	9	800 (31-1/2)	858 (33-13/16)	72 (2-7/8)
PEAD-A24,30AA7	1100 (43-5/16)	1154 (45-7/16)	1200 (47-1/4)	1060 (41-3/4)	11	1000 (39-3/8)	1058 (41-11/16)	78 (3-1/8)
PEAD-A36,42AA7	1400 (55-1/8)	1454 (57-1/4)	1500 (59-1/16)	1360 (53-9/16)	14	1300 (51-3/16)	1358 (53-1/2)	

# DIMENSIONS: PEAD-A30AA7 & PUY-A30NHA7 (-BS)

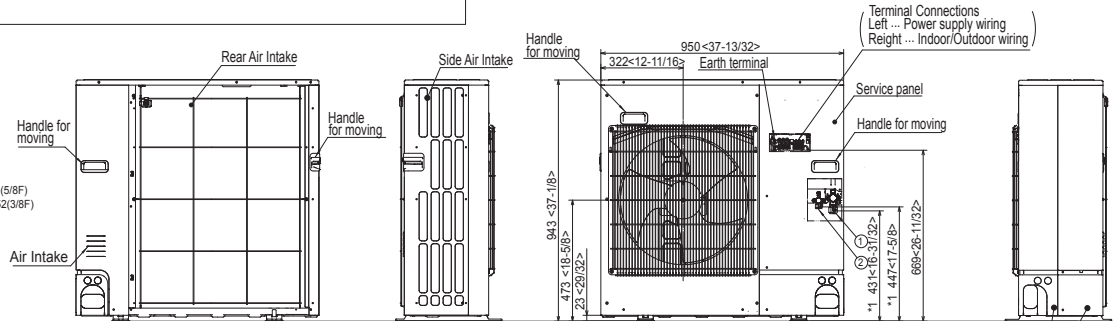
## PUY-A30NHA7(-BS)

Unit: mm<in>

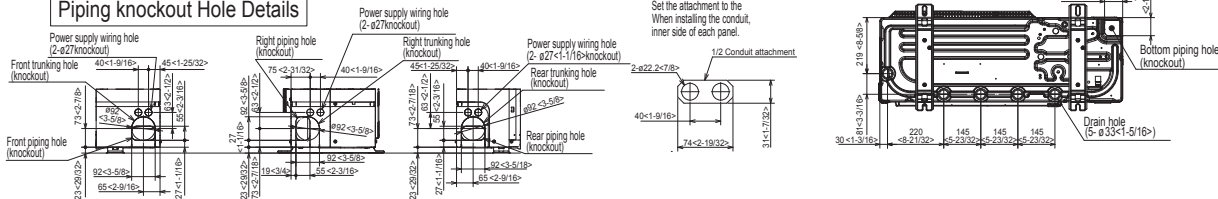


### Example of Notes

- ① ... Refrigerant GAS pipe connection (FLARE)  $\phi$ 15.88(5/8F)
- ② ... Refrigerant LIQUID pipe connection (FLARE)  $\phi$ 9.52(3/8F)
- \*1... Indication of STOP VALVE connection location.



### Piping knockout Hole Details



1340 Satellite Boulevard, Suwanee, GA 30024  
Toll Free: 800-433-4822 www.mehvac.com

