

**Revision B:**

• MUZ-FH06NA, MUZ-FH09/12NA- , MUZ-FH18NA2, MUZ-FH06NAH, MUZ-FH09/12NAH-  and MUZ-FH18NAH2 have been added.

Please void OBB684 REVISED EDITION-A.

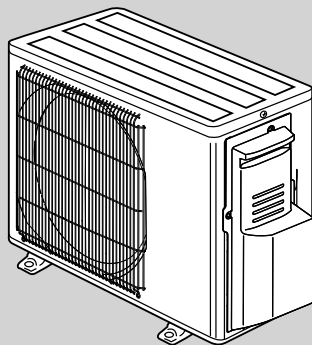
# OUTDOOR UNIT PARTS CATALOG

**No. OBB684**  
REVISED EDITION-B

## Models

MUZ-FH06NA  
 MUZ-FH09NA  
 MUZ-FH09NA -  1  
 MUZ-FH12NA  
 MUZ-FH12NA -  1  
 MUZ-FH15NA  
 MUZ-FH18NA  
 MUZ-FH18NA2

MUZ-FH06NAH  
 MUZ-FH09NAH  
 MUZ-FH09NAH -  1  
 MUZ-FH12NAH  
 MUZ-FH12NAH -  1  
 MUZ-FH15NAH  
 MUZ-FH18NAH  
 MUZ-FH18NAH2



MUZ-FH06NA MUZ-FH06NAH  
 MUZ-FH09NA MUZ-FH09NAH  
 MUZ-FH12NA MUZ-FH12NAH

## CONTENTS

1. RoHS PARTS LIST ..... 2
2. OPTIONAL PARTS ..... 8

**SERVICE MANUAL (OBH684)**

**NOTE:**

RoHS compliant products have <G> mark on the spec name plate.

**Revision A:**

• MUZ-FH18NA and MUZ-FH18NAH have been added.

**Revision B:**

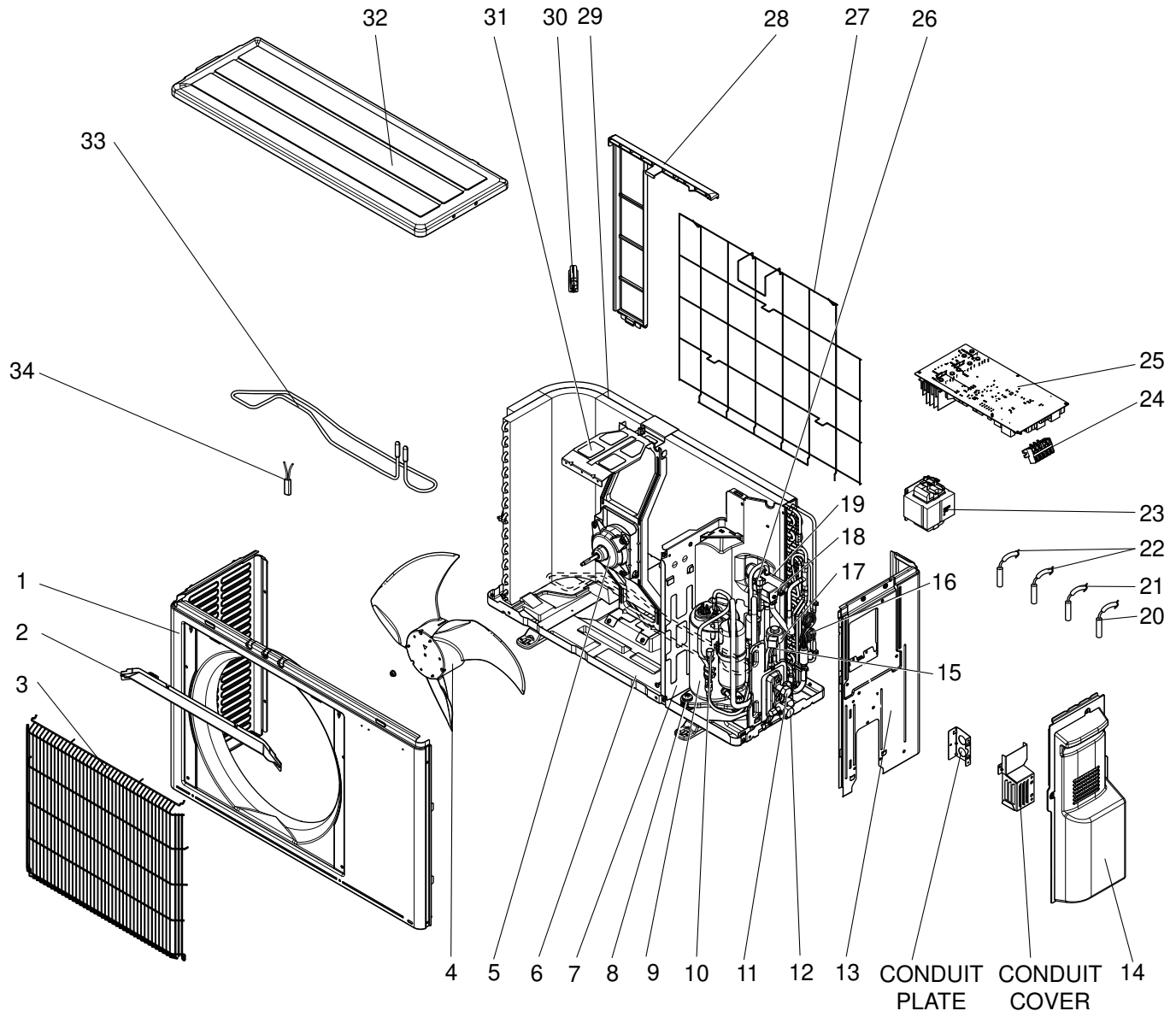
• MUZ-FH06NA, MUZ-FH09/12NA- [1], MUZ-FH06NAH, MUZ-FH09/12NAH- [1] have been added.

**Revision C:**

• MUZ-FH06NA, MUZ-FH09/12NA- [1], MUZ-FH18NA2, MUZ-FH06NAH, MUZ-FH09/12NAH- [1] and MUZ-FH18NAH2 have been added.

**1 RoHS PARTS LIST**

**MUZ-FH09NA MUZ-FH09NAH MUZ-FH12NA MUZ-FH12NAH**  
**1-1. OUTDOOR UNIT STRUCTURAL PARTS, ELECTRICAL PARTS AND FUNCTIONAL PARTS**



# RoHS PARTS LIST

## 1-1. OUTDOOR UNIT STRUCTURAL PARTS AND FUNCTIONAL PARTS

Part number that is circled is not shown in the illustration.

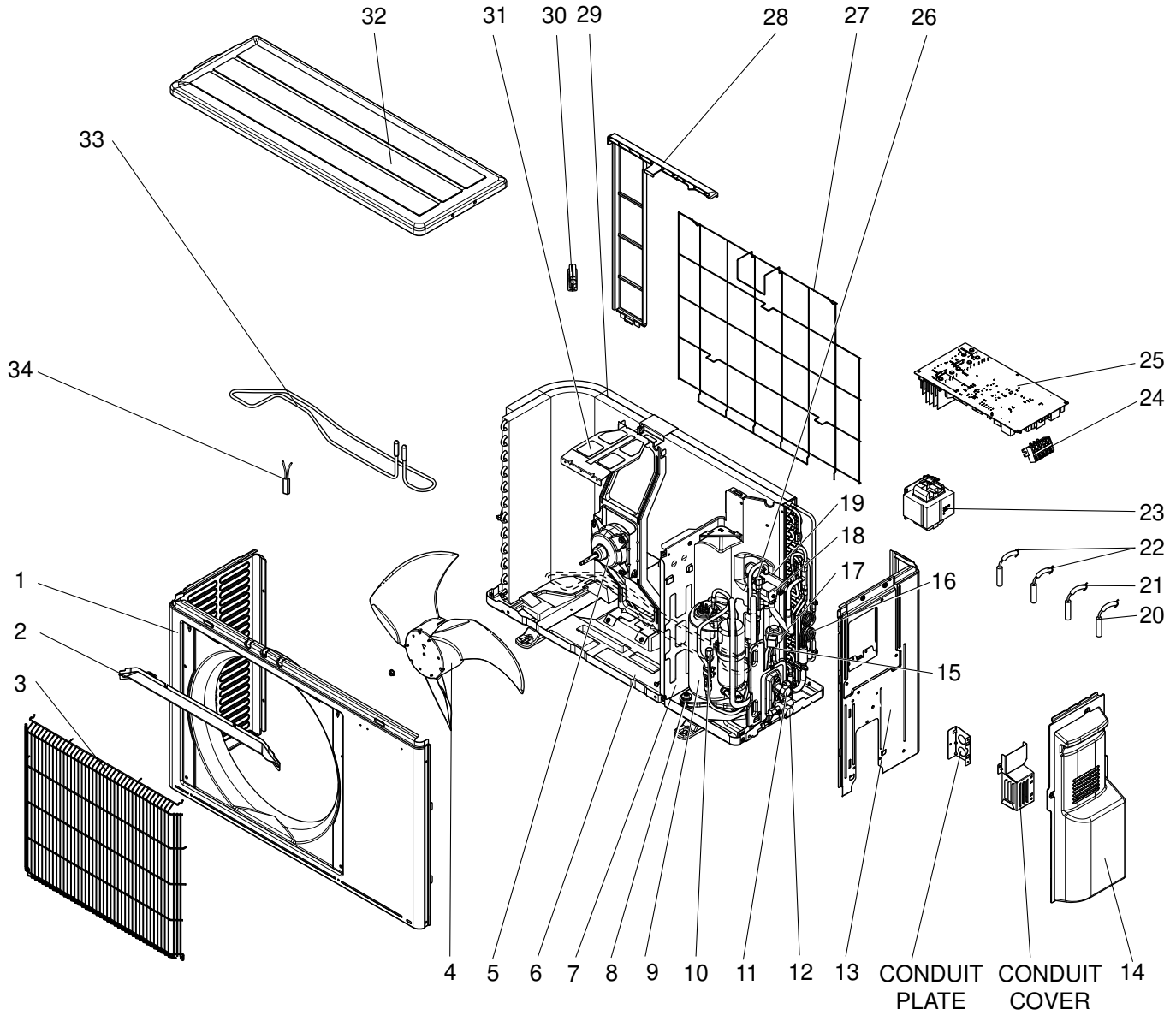
No.	RoHS	Part No.	Part Name	Symbol in Wiring Diagram	Q'ty/unit				Remarks
					MUZ-FH				
					09NA	09NAH	12NA	12NAH	
1	G	E12 L85 232	CABINET		1	1	1	1	
2	G	E12 J63 531	ICE GUARD		1	1	1	1	
3	G	E12 J63 521	GRILLE		1	1	1	1	
4	G	E12 927 501	PROPELLER FAN		1	1	1	1	
5	G	E12 L85 301	OUTDOOR FAN MOTOR	MF	1	1	1	1	RC0J55-□□
6	G	E12 A82 290	BASE		1		1		
	G	E12 G68 290				1		1	
7	G	E12 G11 293	SEPARATOR		1		1		
	G	E12 G14 293				1		1	
8	G	E12 C34 506	COMPRESSOR RUBBER SET		3	3	3	3	3 RUBBERS/SET
9	G	E12 L85 900	COMPRESSOR	MC	1	1			SNB092FQAMT
	G	E12 L86 900					1	1	
10	G	E12 E79 641	SERVICE PORT (L)		1	1	1	1	
11	G	E12 927 662	STOP VALVE (LIQUID)		1	1	1	1	ø3/8 (ø9.52)
12	G	E12 L85 661	STOP VALVE (GAS)		1	1	1	1	ø1/4 (ø6.35)
13	G	E12 L85 233	BACK PANEL		1	1	1	1	
14	G	E12 L85 245	SERVICE PANEL		1	1	1	1	
15	G	E12 A54 640	EXPANSION VALVE		1	1	1	1	
16	G	E12 F35 936	CAPILLARY TUBE		4	4	4	4	O.D. 0.118 × I.D. 0.079 × 8-9/32 (ø3.0 × ø2.0 × 210)
17	G	E12 G10 493	EXPANSION VALVE COIL	LEV	1	1	1	1	
18	G	E12 A56 961	4-WAY VALVE		1	1	1	1	
19	G	E12 L85 490	R.V. COIL	21S4	1	1	1	1	
20	G	E12 D65 308	AMBIENT TEMPERATURE THERMISTOR	RT65	1	1	1	1	
21	G	E12 E05 307	OUTDOOR HEAT EXCHANGER TEMPERATURE THERMISTOR	RT68	1	1	1	1	
22	G	E12 L85 306	THERMISTOR SET	RT61, RT62	1	1	1	1	DEFROST, DISCHARGE
23	G	E12 G11 337	REACTOR	L61	1	1	1	1	
24	G	E12 L85 374	TERMINAL BLOCK	TB	1	1	1	1	5 P
25	G	E12 L85 451	INVERTER P.C. BOARD		1				Including heat sink and RT64
	G	E12 L91 451				1			
	G	E12 L86 451					1		
	G	E12 L92 451						1	
26	G	E12 L85 641	SERVICE PORT (H)		1	1	1	1	
27	G	E12 930 525	CONDENSER WIRE NET		1	1	1	1	
28	G	E12 930 523	CONDENSER NET		1	1	1	1	
29	G	E12 L85 630	OUTDOOR HEAT EXCHANGER		1	1	1	1	
30	G	E12 D84 079	THERMO HOLDER		1	1	1	1	
31	G	E12 929 515	MOTOR SUPPORT		1	1	1	1	
32	G	E12 L85 297	TOP PANEL		1	1	1	1	
33	G	E12 J50 526	DEFROST HEATER	H		1		1	Including lead assembly
34	G	E12 D65 381	HEATER PROTECTOR	26H		1		1	
(35)	G	E12 J47 936	CAPILLARY TUBE		1	1	1	1	O.D. 0.157 × I.D. 0.094 × 9-7/16 (ø4.0 × ø2.4 × 240)

# RoHS PARTS LIST

MUZ-FH06NA MUZ-FH06NAH

MUZ-FH09NA- 1 MUZ-FH09NAH- 1 MUZ-FH12NA- 1 MUZ-FH12NAH- 1

## 1-2. OUTDOOR UNIT STRUCTURAL PARTS, ELECTRICAL PARTS AND FUNCTIONAL PARTS



# RoHS PARTS LIST

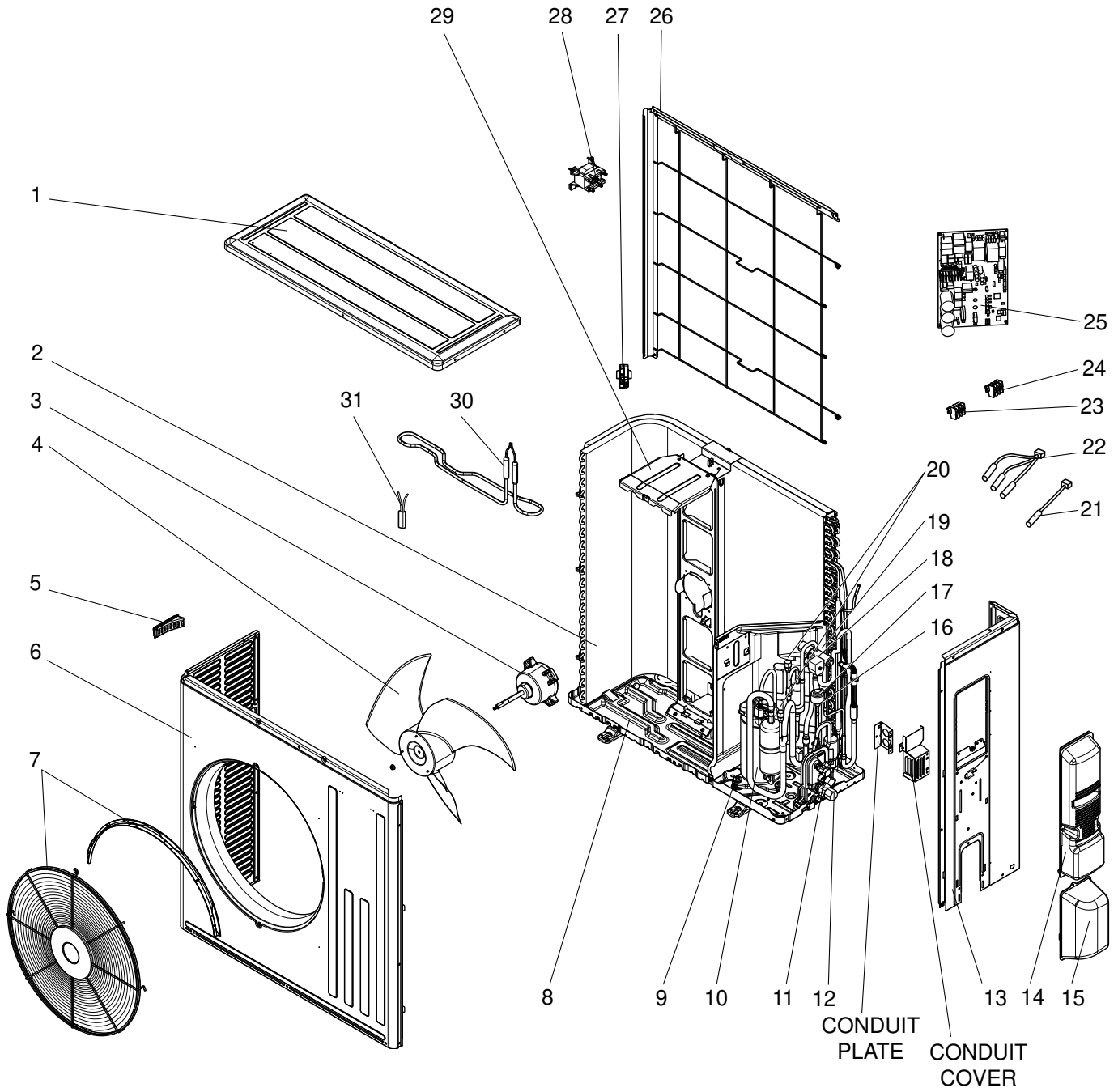
## 1-2. OUTDOOR UNIT STRUCTURAL PARTS, ELECTRICAL PARTS AND FUNCTIONAL PARTS

Part number that is circled is not shown in the illustration.

No.	RoHS	Part No.	Part Name	Symbol in Wiring Diagram	Q'ty/unit						Remarks
					MUZ-FH						
					06		09		12		
NA	NAH	NA- 1	NAH- 1	NA- 1	NAH- 1						
1	G	U01 A01 232	CABINET		1	1	1	1	1	1	
2	G	U01 A01 531	ICE GUARD		1	1	1	1	1	1	
3	G	U01 A01 521	GRILLE (OUT)		1	1	1	1	1	1	
4	G	U01 A01 501	PROPELLER FAN		1	1	1	1	1	1	
5	G	U01 A01 301	OUTDOOR FAN MOTOR	MF	1	1	1	1	1	1	RC0J55-□□
6	G	U01 A01 290	BASE			1				1	
	G	U01 A02 290			1					1	
7	G	U01 A01 293	SEPARATOR		1		1			1	
	G	U01 A02 293			1		1			1	
8	G	U01 A01 506	COMP. RUBBER SET		3	3	3	3	3	3	3 RUBBERS/SET
9	G	U01 A01 900	COMPRESSOR(SNB092FQAMT)	MC	1	1	1	1			SNB092FQAMT
	G	U01 A02 900	COMPRESSOR(SNB140FQUMT)						1	1	SNB140FQUMT
10	G	U01 A01 641	SERVICE PORT (L)		1	1	1	1	1	1	
11	G	U01 A01 662	STOP VALVE (LIQ)		1	1	1	1	1	1	ø3/8 (ø9.52)
12	G	U01 A01 661	STOP VALVE (GAS)		1	1	1	1	1	1	ø1/4 (ø6.35)
13	G	U01 A01 233	BACK PANEL(OUT)		1	1	1	1	1	1	
14	G	U01 A01 245	SERVICE PANEL		1	1	1	1	1	1	
15	G	U01 A01 640	EXPANSION VALVE		1	1	1	1	1	1	
16	G	U01 A01 936	CAPILLARY TUBE		4	4	4	4	4	4	O.D. 0.118 × I.D. 0.079 × 8-9/32 (ø3.0 × ø2.0 × 210)
17	G	U01 A01 493	EXPANSION VALVE COIL	LEV	1	1	1	1	1	1	
18	G	U01 A01 961	4-WAY VALVE		1	1	1	1	1	1	
19	G	U01 A01 490	R.V. COIL	21S4	1	1	1	1	1	1	
20	G	U01 A02 308	THERMISTOR AMBIENT TEMP. TEMPERATURE	RT65	1	1	1	1	1	1	
21	G	U01 A02 307	OUTDOOR HEAT EXC. TEMP THERMISTOR	RT68	1	1	1	1	1	1	
22	G	U01 A01 306	THERMISTOR SET	RT61, RT62	1	1	1	1	1	1	DEFROST, DISCHARGE
23	G	U01 A01 337	REACTOR	L61	1	1	1	1	1	1	
24	G	U01 A01 374	TERMINAL BLOCK	TB	1	1	1	1	1	1	5 P
25	G	U01 A04 451	INVERTER P.C. BOARD		1						Including heat sink and RT64
	G	U01 A01 451				1					
	G	U01 A05 451					1				
	G	U01 A02 451						1			
	G	U01 A06 451							1		
	G	U01 A03 451								1	
26	G	U01 A02 641	SERVICE PORT (H)		1	1	1	1	1	1	
27	G	U01 A01 525	CONDENSER WIRE NET		1	1	1	1	1	1	
28	G	U01 A01 523	CONDENSER NET		1	1	1	1	1	1	
29	G	U01 A01 630	OUTDOOR HEAT EXCHANGER		1	1	1	1	1	1	
30	G	U01 A01 079	THERMO HOLDER		1	1	1	1	1	1	
31	G	U01 A01 515	MOTOR SUPPORT		1	1	1	1	1	1	
32	G	U01 A01 297	TOP PANEL		1	1	1	1	1	1	
33	G	U01 A01 526	DEFROST HEATER	H		1		1		1	Including lead assembly
34	G	U01 A01 381	HEATER PROTECTOR	26H		1		1		1	
(35)	G	U01 A02 936	CAPILLARY TUBE		1	1	1	1	1	1	O.D. 0.157 × I.D. 0.094 × 9-7/16 (ø4.0 × ø2.4 × 240)

# RoHS PARTS LIST

## MUZ-FH15NA MUZ-FH15NAH MUZ-FH18NA MUZ-FH18NAH MUZ-FH18NA2 MUZ-FH18NAH2 1-3. OUTDOOR UNIT STRUCTURAL PARTS, ELECTRICAL PARTS AND FUNCTIONAL PARTS



# RoHS PARTS LIST

## 1-3. OUTDOOR UNIT STRUCTURAL PARTS, ELECTRICAL PARTS AND FUNCTIONAL PARTS

Part numbers that are circled are not shown in the illustration.

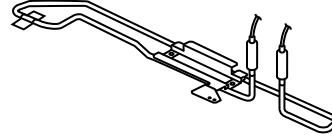
No.	RoHS	Part No.	Part Name	Symbol in Wiring Diagram	Q'ty/unit						Remarks	
					MUZ-FH							
					15 NA	15 NAH	18 NA	18 NAH	18 NA2	18 NAH2		
1	G	E12 L87 297	TOP PANEL		1	1	1	1	1	1		
2	G	E12 L87 630	OUTDOOR HEAT EXCHANGER		1	1	1	1				
	G	E12 T44 630						1	1			
3	G	E12 F76 301	OUTDOOR FAN MOTOR	MF	1	1	1	1	1	1	RC0J77-□□	
4	G	E12 F28 501	PROPELLER FAN		1	1	1	1	1	1		
5	G	E12 817 009	HANDLE		1	1	1	1	1	1		
6	G	E12 L87 232	CABINET		1	1	1	1	1	1		
7	G	E12 L87 521	FAN GUARD		1	1	1	1	1	1	Including ice guard	
8	G	E12 F28 290	BASE		1		1		1			
	G	E12 H25 290				1		1		1		
9	G	E12 C34 506	COMPRESSOR RUBBER SET		3	3	3	3	3	3	3 RUBBERS/SET	
10	G	E12 F76 900	COMPRESSOR	MC	1	1	1	1	1	1	SNB172FQKMT	
11	G	E12 L87 662	STOP VALVE (LIQUID)		1	1	1	1	1	1	ø1/4 (ø6.35)	
12	G	E12 L87 661	STOP VALVE (GAS)		1	1	1	1	1	1	ø1/2 (ø12.7)	
13	G	E12 L87 233	BACK PANEL (OUT)		1	1	1	1	1	1		
14	G	E12 L87 245	SERVICE PANEL		1	1	1	1	1	1		
15	G	E12 F28 650	VALVE COVER		1	1	1	1	1	1		
16	G	E12 851 640	EXPANSION VALVE		1	1	1	1	1	1		
17	G	E12 F28 493	EXPANSION VALVE COIL	LEV	1	1	1	1	1	1		
18	G	E12 F76 490	R.V. COIL	21S4	1	1	1	1	1	1		
19	G	E12 A56 961	4-WAY VALVE		1	1	1	1	1	1		
20	G	E12 E79 641	SERVICE PORT (H, L)		2	2	2	2	2	2		
21	G	E12 J52 309	AMBIENT TEMPERATURE THERMISTOR	RT65	1	1	1	1	1	1		
22	G	E12 F28 308	THERMISTOR SET	RT61, RT62, RT68	1	1	1	1	1	1	DEFROST, DISCHARGE, OUTDOOR HEAT EXCHANGER TEMPERATURE	
23	G	E12 L87 374	TERMINAL BLOCK	TB1	1	1	1	1	1	1	3 P	
24	G	E12 F28 374	TERMINAL BLOCK	TB2	1	1	1	1			3 P	
	G	E12 T16 374							1	1		3 P
25	G	E12 L87 451	INVERTER P.C. BOARD		1						Including heat sink and RT64	
	G	E12 M08 451				1						
	G	E12 P77 451					1					
	G	E12 P78 451						1				
	G	E12 T44 451								1		
G	E12 T45 451								1			
26	G	E12 L87 523	CONDENSER NET		1	1	1	1	1	1		
27	G	E12 F76 079	THERMO HOLDER		1	1	1	1	1	1		
28	G	E12 F28 337	REACTOR	L	1	1	1	1	1	1		
29	G	E12 J52 515	MOTOR SUPPORT		1	1	1	1	1	1		
30	G	E12 J52 526	DEFROST HEATER	H		1		1		1		
31	G	E12 J52 381	HEATER PROTECTOR	26H		1		1		1		
③②	G	E17 250 382	FUSE	F65, F66	2	2	2	2	2	2	T6.3AL250V	
③③	G	E17 001 241	FUSE HOLDER		2	2	2	2	2	2		
③④	G	E12 527 936	CAPILLARY TUBE		1	1	1	1	1	1	O.D. 0.157 × I.D. 0.094 × 3-15/16 (ø4.0 × ø2.4 × 100)	

# 2

# OPTIONAL PARTS

## 2-1. DEFROST HEATER

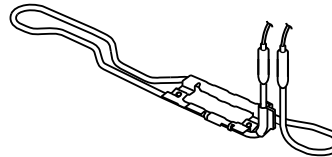
Model	Parts No.
MUZ-FH06NA MUZ-FH09NA MUZ-FH12NA	MAC-640BH-U



### Components

① Defrost heater	1	④ Cable tie	1
② Aluminum tape	1	⑤ Self drilling screw	2
③ Heater support	1	⑥ Insulation	1

Model	Parts No.
MUZ-FH15NA MUZ-FH18NA MUZ-FH18NA2	MAC-642BH-U



### Components

① Defrost heater	1	④ Cable clamp	1
② Heater support	1	⑤ Self drilling screw	2
③ Cable tie	1	⑥ Wiring diagram	1

**Note:** Refer to the installation manual for the installation.

# MITSUBISHI ELECTRIC CORPORATION

HEAD OFFICE: TOKYO BLDG., 2-7-3, MARUNOUCHI, CHIYODA-KU, TOKYO 100-8310, JAPAN

© Copyright 2014 MITSUBISHI ELECTRIC CORPORATION  
 Distributed in Oct. 2015. No. OBB684 REVISED EDITION-B  
 Distributed in Dec. 2014. No. OBB684 REVISED EDITION-A  
 Distributed in Feb. 2014. No. OBB684  
 Made in Japan

New publication, effective Oct. 2015  
 Specifications are subject to change without notice.