

Heat Recovery Ventilator VH70220

CLEAN COMFORT™
INDOOR AIR ESSENTIALS

Features

- Three operating modes (Intermittent, Continuous and High)
- 100% variable speed
- Integrated door pressure balancing taps
- ISF™ (Insert, Slide and Fix) 6" (153 mm) dia. collar system
- Advanced proportional supply fan shut-down defrost sequence
- Factory-installed, adjustable hanging strap system
- Dual permanently lubricated PSC motors
- Integrated auxiliary furnace interlock relay
- Ventilator can be balanced by adjusting each motor independently; no balancing dampers required
- Connection terminals for optional wall controls
- Quiet operation

Heat Recovery Core

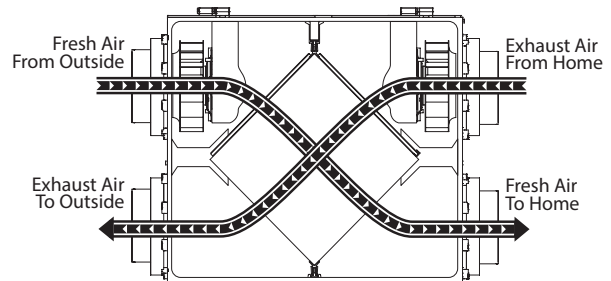
- Transfers sensible heat
- Effective in warm and cold climates
- Water washable

Certifications and Standards

- HVI Certified
- CSA C439 Standard (Packaged Heat/Energy Recovery Ventilators (HRV/ERV))
- CSA Standard CSA 22.2 NO.113-10 (Fans and ventilators)
- UL Standard 1812 2nd Ed. Ducted Heat/Energy Recovery Ventilators (HRV/ERV)



Airflow (Front View)



Proprietary Notice

This document and the information disclosed herein are proprietary data of Daikin North America LLC. Neither this document nor the information contained herein shall be reproduced, used, or disclosed to others without the written authorization of Daikin North America LLC except to the extent required for installation or maintenance of recipient's equipment.

Liability Notice

Daikin North America LLC does not accept any liability for installations of ventilation equipment installed by unqualified personnel or the use of parts/components/equipment that are not authorized or approved by Daikin.

Copyright Notice

Copyright 2018, Daikin North America LLC All rights reserved.



Specifications VH70220

Cabinet

Dimensions 29½" x 22½" x 16½"
(749.3 mm x 571.5 mm x 419.1 mm)

Construction 20-gauge galvanized pre-painted steel corrosion-resistant liner: molded expanded Polystyrene (EPS) Rated UL94 HF-1

Duct Connections Four, 6" (152.5 mm) dia. ISF double collar system

Airflow Rates 70 CFM (33 L/s) to 220 CFM (104 L/s)

Motors Two PSC variable-speed backward curved
Maximum RPM 2695; 3/32 HP, Class F, thermally protected

Voltage 120 VAC @ 60 Hz / 1 Phase

Amperage 1.5 A / 142 W

Electronic Components Circuit output voltage: 5VDC nominal
RoHS compliant

Heat Exchanger Exchange surface Dimensions Polypropylene HRV Core
150 ft² (13.9 m²)
12" L x 12" W x 15" D
(304.8 mm x 304.8 mm x 381 mm)

Construction Corrugated cross-flow polypropylene layers
Recognized UL94 HB and HF-1

Defrost type Evacuation; activated automatically at 23°F (-5°C)

Filters Two Fiberbond washable 11-11/16" x 14-3/4" x 5/8"
(297 mm x 375 mm x 16 mm)

Drain Connection ½" (12.7 mm)

Actual Weight 51 lbs (23.1 Kg)

Shipping Weight 58½ lbs (26.5 Kg)

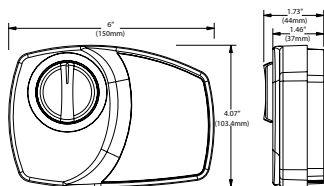
Optional Wall Controls

Mechanical VHP-RD1, VHP-TC10 or VHP-DC15

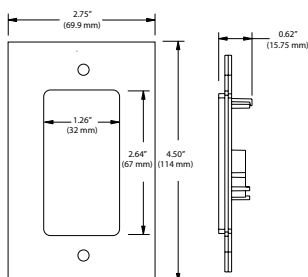
Timers VHP-T3 (20, 40, 60 minutes)

Wall Control Dimensions

VHP-RD1



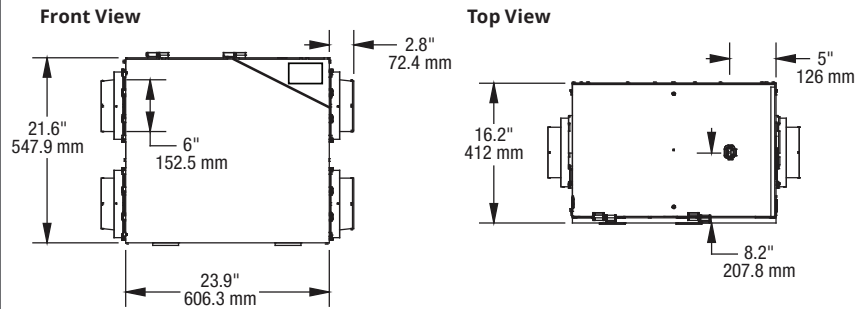
VHP-T3 Timer and



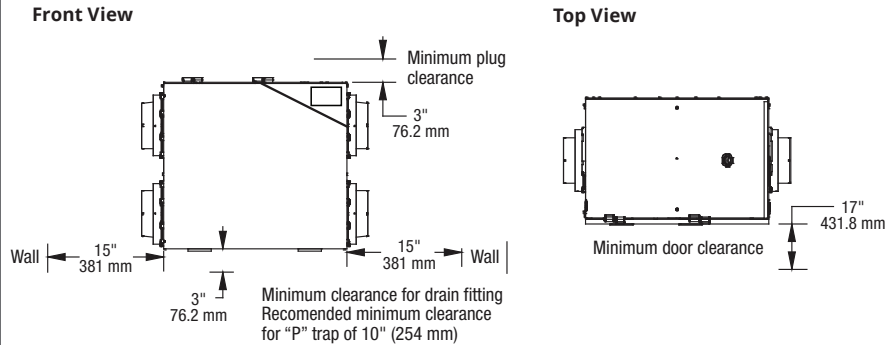
VHP-TC10 / VHP-DC15

Wall Controls

Dimensional Data

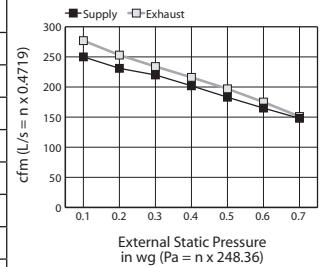


Minimum Clearance Data



Ventilation Performance

External Static Pressure		Net Supply Airflow		Gross Airflow Supply		Gross Airflow Exhaust	
Pa	In. wg	L/s	CFM	L/s	CFM	L/s	CFM
25	0.1	119	252	119	252	121	256
50	0.2	111	235	112	237	113	239
75	0.3	103	218	104	220	104	220
100	0.4	95	201	96	203	95	201
125	0.5	86	182	87	184	86	182
150	0.6	79	167	79	167	77	163
175	0.7	70	148	70	148	68	144



Energy Performance

	Supply Temperature		Net Airflow		Power Consumed (Watts)	Sensible Recovery Efficiency	Adjusted Sensible Recovery Efficiency
	°C	°F	L/s	CFM			
Heating	0	32	29	61	62	75	82
	0	32	43	91	74	72	78
	0	32	60	127	92	67	72
	-25	-13	33	70	59	58	61