



Features

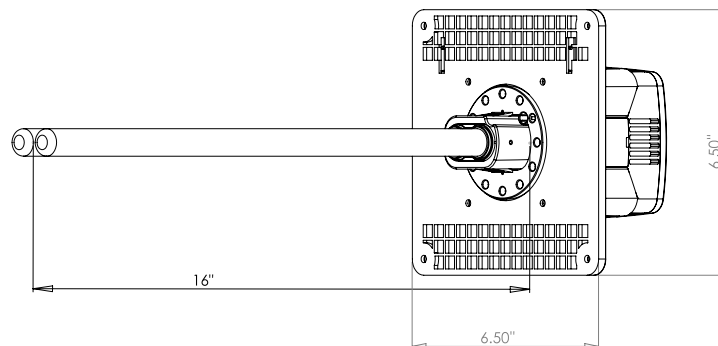
- Suitable for residential Furnace installations
- Dealer Programmable LCD
- Annual audible and visual service notification
- 16" Twin-tube high UVC lamps
- 360° Parabolic Reflector directs & enhances UVC output
- Soft start electronics with variable voltage protection
- 120V electrical power supply
- Built-in UV "Smart Light" Photocell for lamp operation
- Tandem module outlets for multi-unit installation
- Snap-in/out components for easy installation & servicing
- Compact design

PREMIUM PLUS WITH LCD TWIN-TUBE LAMP UVC COIL PURIFIER For Furnace Installations



NOTE:

All LCD models require temperature-controlled environment. The LCD units are not suitable for hot ambient installations. It is recommended that all units are installed at least 4 feet from heat exchangers.



Specifications

CONSTANT POWER	ELECTRICAL DRAW	HOURS	LAMP TYPE	PARABOLIC REFLECTOR
120V	0.35A	9000	Twin Tube High UVC	Yes

Service Part Numbers

MODEL	REPLACEMENT LAMP	POWER CORD	BASE	CLIP ASSEMBLY
UC36DL16-DV	UCP-36D16-DV	UCP-DVCORD	UCP-DVBASE	UCP-DVCLIP

5 YEAR PARTS
/ 1 YEAR LAMP
LIMITED
WARRANTY*

*Complete warranty details available from your local dealer or at www.cleancomfort.com



Goodman Manufacturing Company, L.P., reserves the right to discontinue, or change at any time, specifications or designs without notice or without incurring obligations. ©2020 Goodman Manufacturing Company, L.P. • Houston, Texas • Printed in the USA.