

UC18S15-24 UC18S15-24B

CLEAN COMFORT™ INDOOR AIR ESSENTIALS

Features

- Suitable for residential air handler installations
- Economically priced
- 24V electronic power supply
- Connects to 24V power at control panel
- 15" lamp length
- Moisture-resistant lamp connection
- 6-ft lamp cord
- Patented for delta plate installations
- Suitable for all residential coil systems

SINGLE LAMP UV COIL PURIFIER For Air Handler Installations



Service Part Numbers			
Model	Lamp	Power Mod	Rem Cord
UC18S15-24	UCP-16013	UCP-16015	UCP-16016
UC18S15-24B	UCP-16012	UCP-16014	UCP-16016

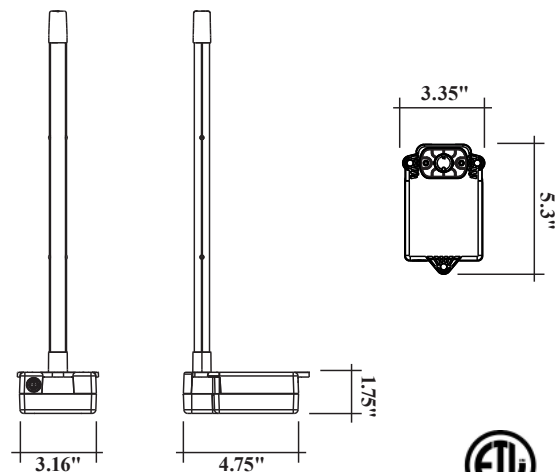
Warranty		
Model	Power Mod	Lamp
UC18S15-24	5 Years	1 Year
UC18S15-24B	7 Years	2 Years

Specifications

Dimensions:

- Power Module:** 5"L X 3.25"W X 2"H
Bracket: 1.75"L X 2.25"W X 3.5"H
Electrical: 24V (Expanded range ballast: 20V-32V), 50/60Hz, 1.4A. 3000V surge protection. 3-ft power cord. 4-ft lamp cord
Lamp Length: 15" Water Resistant Lamp
Lamp Life: 9000-hour
Weight: 2lb

U.S. Patent Nos. 5,334,347, 5,817,276, 6,245,293, 6,267,924, 6,280,686, 6,313,470, 6,627,000, 6,539,727, 6,932,494, 6,550,257.



Goodman Manufacturing Company, L.P., reserves the right to discontinue, or change at any time, specifications or designs without notice or without incurring obligations. ©2018 Goodman Manufacturing Company, L.P. • Houston, Texas • Printed in the USA.