

CC-HEPA

CLEAN COMFORT® INDOOR AIR ESSENTIALS

Description

The **Clean Comfort**® CC-HEPA Return Duct or Return Remote Collar Mount system has three stages of filtration, a ventilator, a speed selection switch, and a cabinet enclosure system. The ventilator pulls air through the pre-filter and then through the impregnated carbon pad for odor control. Finally, the last stage of filtration is the HEPA filter, which removes 99.97% of particles 0.3um in size that pass through the filter*.

Features and Benefits

- Installing the CC-HEPA in a bypass configuration allows for no added static pressure to the HVAC system.
- Versatile installation: return duct mounting or return remote collar mounting with pre-punched knockouts.
- Plug-in power cord (120 VAC); no field wiring required.
- For smooth return duct mounting installation, use the provided mounting template and pre-punched openings on the back and top of the unit; no external ductwork required when installing in duct mount configuration.
- Heavy gauge steel cabinet with powder coat paint finish resists corrosion and provides rigid installation and durability.

DUCT-MOUNT HEPA AIR CLEANER

MODEL: CC-HEPA



Replacement Filters

Description	Part Number
1 Year Kit (Pre & Carbon filter, and HEPA)	AMP-HEPA-KIT
Pre & Carbon Filter ONLY	AMP-461007
HEPA Filter ONLY	AMP-461005
Blower Housing	CC-HEPA-BH



WARNING

Only personnel that have been trained to install, adjust, service or repair (hereinafter, "service") the equipment specified in this manual should service the equipment. The manufacturer and seller will not be responsible for any injury or property damage arising from improper service or service procedures. If you service this unit, you assume responsibility for any injury or property damage which may result. In addition, in jurisdictions that require one or more licenses to service the equipment specified in this manual, only licensed personnel should service the equipment. Improper installation, adjustment, servicing or repair of the equipment specified in this manual, or attempting to install, adjust, service or repair the equipment specified in this manual without proper training may result in product damage, property damage, personal injury or death.

**10 YEAR
PARTS**
LIMITED
WARRANTY*

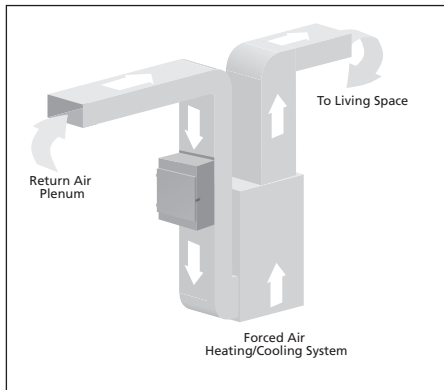
* Warranty doesn't apply to prefilter, carbon VOC prefilter or HEPA filter. Other exceptions apply. Complete warranty details available from your local dealer or at www.cleancomfort.com.



Specifications

CC-HEPA	
Weight	33 lbs.
Dimensions	18" x 12" x 23.9"
Plenum Mount Port Openings	16" x 4" (406mm x 102mm)
Collar Mount Port Openings	8" (203mm) Round
Installation Type	Return Plenum or Duct Mount
Electrical Supply	120 VAC @ 60 Hz
Power Consumption	132 W
Certification	Intertek ETL
Air Flow Data	320 - 380 CFM

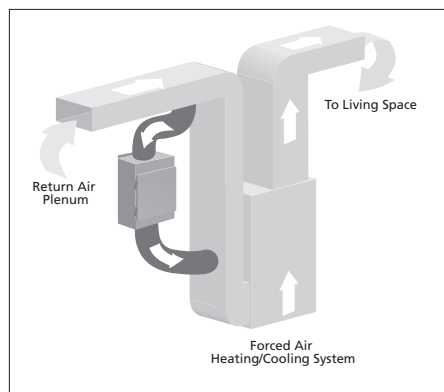
Installation Options



HEPA Mounted on Duct

Return Duct Mounting

Installing directly onto the return air plenum of the forced air heating/cooling system is the designed installation of the Duct-Mount Filtration system. This install eliminates the need to duct the HEPA filter unit to the plenum system externally.



HEPA Mounted on Wall

Return Remote Collar Mounting

Installing using the remote collar mounting system in the return air plenum of the forced air heating/cooling system is another installation type of the Duct-Mount Filtration system. Use the two field-provided, 8 inch round collars for installation.