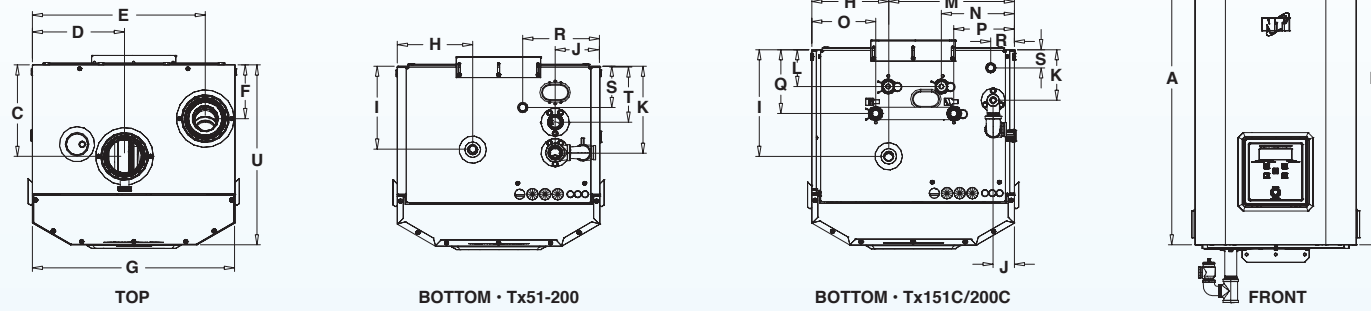


## TRINITY Tx DIMENSIONS & SPECIFICATIONS



### DIMENSIONS (INCHES)

MODEL	A	B	C	D	E	F	G	H	I	J	K	L	M	N	O	P	Q	R	S	T	U
	HEIGHTS		FLUE		AIR INLET		WIDTH	GAS CONN.		OUTLET/RELIEF		DHW CONN.			LOW LOSS HEADER CONN.			CONDENSATE	INLET	DEPTH	
TX51			8-1/8	8-1/8		4-3/4		6-3/4	7-3/8	4	7-3/4	NA	NA	NA	NA	NA	NA	6-7/8	3-5/8	5	16
TX81			7-7/8	8-1/8		4-3/4		6-3/4	7-3/8	4	7-3/4	NA	NA	NA	NA	NA	NA	6-7/8	3-5/8	5	16
TX101			6-1/2	8-1/8		4-3/4		6-3/4	7-3/8	4	7-3/4	NA	NA	NA	NA	NA	NA	6-7/8	3-5/8	5	16
TX151	30-3/4	37-1/4	5-1/8	8-1/8	15-3/8	4-3/4	18	6-3/4	7-3/8	4	7-3/4	NA	NA	NA	NA	NA	NA	6-7/8	3-5/8	2-1/4	16
TX151C			7-7/8	8-1/8		7-1/2		6-3/4	9-5/8	1-7/8	4-1/2	3-1/4	11-1/4	6-1/2	5-3/4	5-3/8	5-3/4	2-1/8	2-1/8	NA	16
TX200			5-1/8	7-3/8		7-7/8		6-7/8	8-7/8	3-1/4	9	NA	NA	NA	NA	NA	NA	6-7/8	3-7/8	2-1/4	17-3/8
TX200C			5-1/8	7-3/8		7-7/8		6-7/8	8-7/8	1-7/8	4-1/2	3-1/4	11-1/4	6-1/2	5-3/4	5-3/8	5-3/4	1-5/8	1-5/8	NA	17-3/8

### SPECIFICATIONS

MODEL	CSA INPUT (MBH)			DOE HEATING CAP. (MBH)	NET I=B-R RATING (MBH)	AFUE %	GAS CONN. NPT, IN.	WATER CONN. NPT, IN.	DHW CONN. IN.	AIR INLET CONN. IN.	FLUE CONN. IN.	WEIGHT LB
	MIN.	MAX.										
		Space Heating	DHW									
TX51	7.1	57	57	52	45	94	1/2 (FEMALE)	1* (MALE)	3	3	3	77
TX81	10.3	82	82	75	65							79
TX101	12.6	101	101	92	80							86
TX151	18.9	151	151	138	120							87
TX200	24.9	199	199	183	159							98
TX151C	18.9	80	151	74	64							95
TX200C	24.9	120	199	111	96	95	120					

\* Combi CH connections are sweat joint.

### DOMESTIC HOT WATER PERFORMANCE

	DHW Temp (°F)		DHW Flow (GPM)	
	Inlet	Outlet	Tx151C	Tx200C
	50	100	5.4	7.2
	50	110	4.5	6.0
	50	120	3.9	5.1
	50	130	3.4	4.5

Higher flow rates require a thermostatic mixing valve.

### EFFICIENT

**SAVE THE PLANET:** The Tx can reduce greenhouse gas (GHG) emissions by up to 50% and lead to a reduction of 2.5 tons of GHGs, equivalent to two acres of, or 280, trees.

**SAVE MONEY:** Savings of up to 40% on heating bills due to superior efficiency. If you pay \$1,800 annually, you could save \$720 a year, or \$3,600 in five years.

### DEPENDABLE

At NTI, we manufacture all of our boilers to the highest industry standards. Our in-factory Quality Control tests are the most rigorous in the industry. Every Tx boiler is factory run and calibrated for optimal performance. Our limited lifetime warranty provides you with the assurance of years of worry-free operation and our Technical Support is second-to-none in the industry.



DISTRIBUTED BY:



NTI  
NY THERMAL INC.  
30 Stonegate Drive, Saint John  
New Brunswick E2H 0A4 Canada  
Tel: 506-657-6000  
Toll-free: 800-688-2575  
Fax: 506-432-1135

[ntiboilers.com](http://ntiboilers.com)

# TRINITY<sub>Tx</sub>

## The Evolution of High Efficiency Condensing Boilers

High efficiency stainless steel boiler

Models from 57,000 to 199,000 BTU/Hr

Available in a combi version

Fully modulating with 8:1 turndown

Advanced outdoor reset control

Venting to 150' on most models

2" venting on most models up to 100'

Up to 95% AFUE

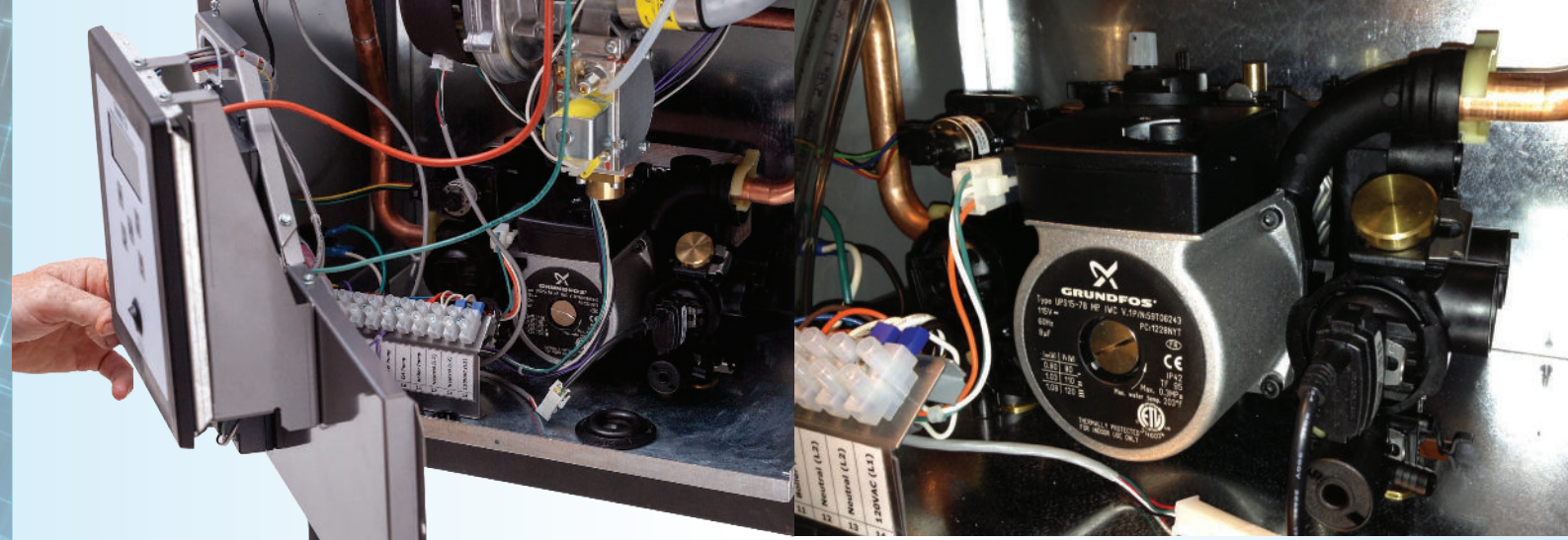
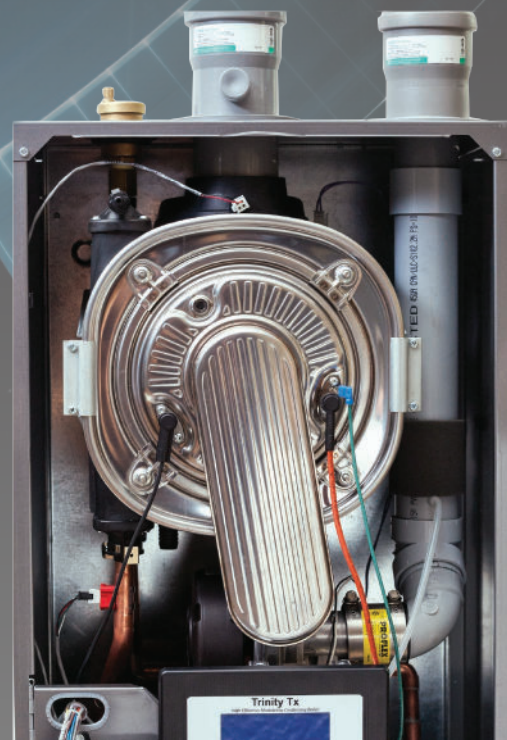


[ntiboilers.com](http://ntiboilers.com)



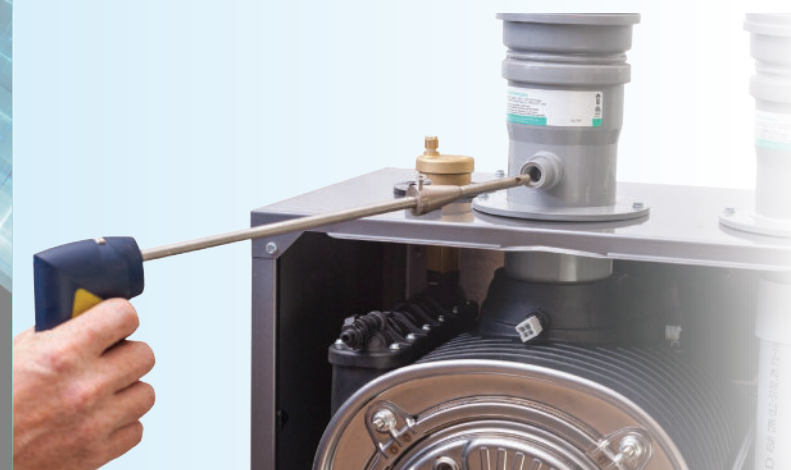
## Standard Features

- Built and certified as a heating boiler
- Pre-wired for use with indirect water heater
- High efficiency stainless steel boiler
- All components are quick release type
- Advanced integrated control with:
  - Full automatic modulation
  - Outdoor reset
  - Lead-Lag capable
  - Low pressure cutoff
  - Easy programmable display
  - OD reset boost feature
  - Warm weather shutdown (WWSD)
  - Compatible with indirect tank sensor
  - Diagnostic logging
- Easy wire connection strip
- Fully packaged and wired assembly
- Propane conversion kit
- Auto air vent
- No-glue universal vent connections (accepts PPs and PVC)
- Three pump outputs
- Exhaust vent test port
- 120V power receptacle
- Certified ANSI Z21.13



## Innovative Design

The engineering elegance of the Tx is unmatched. The control panel is hinged to provide easy access to the field wiring connectors, and internal components.



## Engineering Elegance

The Tx has been engineered to make installation, setup and service easy. Service ports, test receptacles, easy access, and quick release components make the Tx unmatched in the industry.



## Combi Application

The 151 and 200 are available in a combi version, whereby the boiler can provide both space heating and domestic hot water. The boiler gives full capacity in heating and DHW modes.

## Features

- Low loss header manifold (primary loop)
- Internal primary circulator
- Boiler gives full capacity in heating and DHW mode
- All components are quick connecting for servicing
- Fully integrated plumbing
- DHW heat exchanger
- DHW flow sensor
- DHW temperature sensor
- Flow diverter valve
- Advanced operating control, including:
  - DHW priority
  - DHW preheating
  - Modulation to DHW temperature
  - Electronic tempering

## Efficient Performance

Features a patented Ferritic SS ASME heat exchanger. The state-of-the-art Metal Fibre burner provides the optimum ignition, and turn down modulation.

## Boiler Features

- Easy to install and maintain
- High efficiency stainless steel boiler
- All water connections are located on the bottom
- Fully modulating combustion system
- Condensate pump receptacle
- Wall mount configuration with available floor stand
- No-glue universal vent connections (accepts PPs and PVC)
- On-off power service switch
- High quality appliance metallic clear coat finish
- ASME certified boiler
- Certified ANSI Z21.13

## Controller Features

- Ultimate controllability with the advanced Tx controller
- Outdoor reset temperature operation
- Our Lead-Lag cascade system maximizes efficient operation
- Detailed troubleshooting information (self diagnostic display)
- Increased boiler and system efficiency
- DHW and central heat modulation limiting
- Installer adjustable modulation ranges
- 4-20mA heat input for setpoint or modulation control\*
- Freeze protection parameters
- Warm weather shutdown

\* Note: 4-20mA (or 0-10V) burner control is only available with an additional control.